

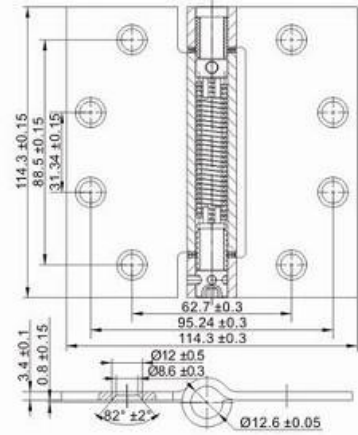
Single Acting Spring Hinges



SH01-4500

Description

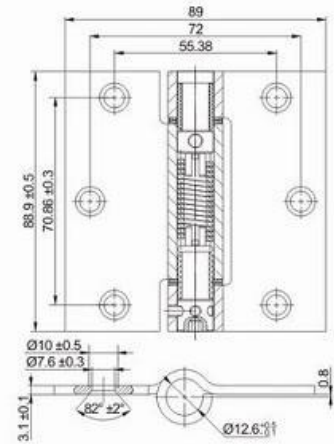
4.5"x4.5"x3.4mm Satin Chrome



SH01-3500A

Description

3.5"x3.5"x3.1mm Satin Chrome



FURNISHED SCREWS		Hinge Unit Weight
3500	#10x3/4"WOOD SCREWS & #10x1/2"MACHINE SCREWS	0.256kg
3500A	#10x3/4"WOOD SCREWS & #10x1/2"MACHINE SCREWS	0.290kg
4400	#10x1-1/4"WOOD SCREWS & #10x1/2"MACHINE SCREWS	0.318kg
4400A	#12x1-1/4"WOOD SCREWS & #12x1/2"MACHINE SCREWS	0.371kg
4500	#12x1-1/4"WOOD SCREWS & #12x1/2"MACHINE SCREWS	0.474kg



HEX WRENCH



ADJUSTING PIN

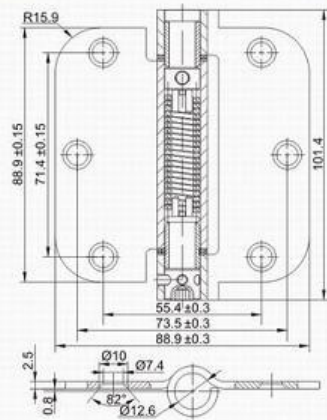
Single Acting Spring Hinges



SH01-3500

Description

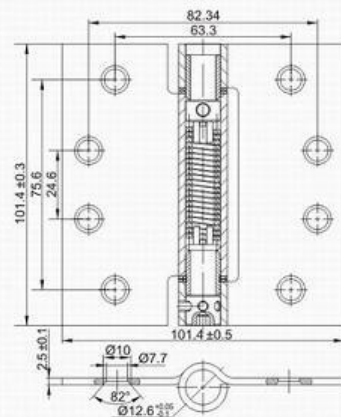
3.5"x3.5"x2.5mm	Antique Bronze Oiled
-----------------	----------------------



SH01-4400

Description

4"x4"x2.5mm	Pearl Nickel
-------------	--------------



SH01-4400A

Description

4"x4"x3.3mm	Satin Chrome
-------------	--------------

